

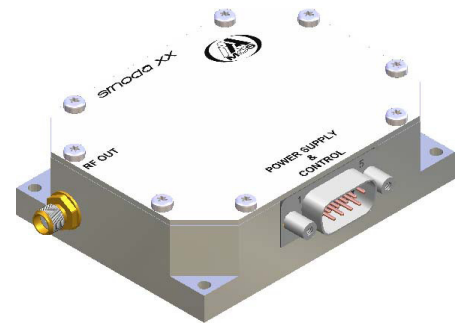
## DESCRIPTION

These drivers based on quartz oscillators, produce a fixed stable and accurate RF frequency signal. The built in amplifier delivers the necessary RF power to drive an air cooled Q-switch up to 20 W.

The RF output power can be externally modulated with a TTL and analog 0-5 V signal. Standard power supply is 24 VDC, but versions are available with 15 VDC. Cooling by conduction through baseplate.

## FEATURES

- Fixed frequency 27.12, 40.68, 68 and 80 MHz
- RF power up to 20 Watts
- TTL + Analog controls
- RoHS



## APPLICATIONS

- COMPACT ACOUSTO-OPTIC DRIVER FOR Q-SWITCHES

Parameter	Unit	QMODP2Axx	
Carrier frequency	MHz	27.12 / 40.68 / 68 / 80 MHz	
Frequency Stability	ppm/°C	+/- 1	
Output RF Power (@1dB compression)	W	20	
Digital Control	DPC	TTL / 1 kΩ Pull down	Pulse control
Analog Control	FAC	0-5 V / 1 kΩ = RF HIGH LEVEL Control	Power adjust
Fall time	ns	Nom 25 < 50	
Input / Output impedance	Ω	50	
Power supply	VDC	24 +/- 0.5, nom 2.3A (<2.9A)	15 VDC, < 3.3 A
Class		AB	
VSWR		< 1.2/1	
Extinction Ratio	dB	Nom 60	TTL=0
Input / Output Connector		DB9 / SMA female	
Size / Weight	mm <sup>3</sup> / g	80 x 60 x 23 / 170	
Heat Exchange		Conduction through baseplate	
Operating Temperature (Non condensing)	°C	10 ~ +40	Max case temp 50°C

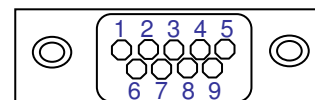
### Options / On request

RF POWER

4, 10 watts

## PIN connections

Pin 1,2,6 : GND  
 Pin 4,5,9 : +VDC  
 Pin 3 : Digital Input (TTL)  
 Pin 7 : --  
 Pin 8 : Analog Input FAC



Ce document est la propriété de AA-MCS et ne peut être communiqué sans son accord.

4 3 2 1

F

F

E

E

D

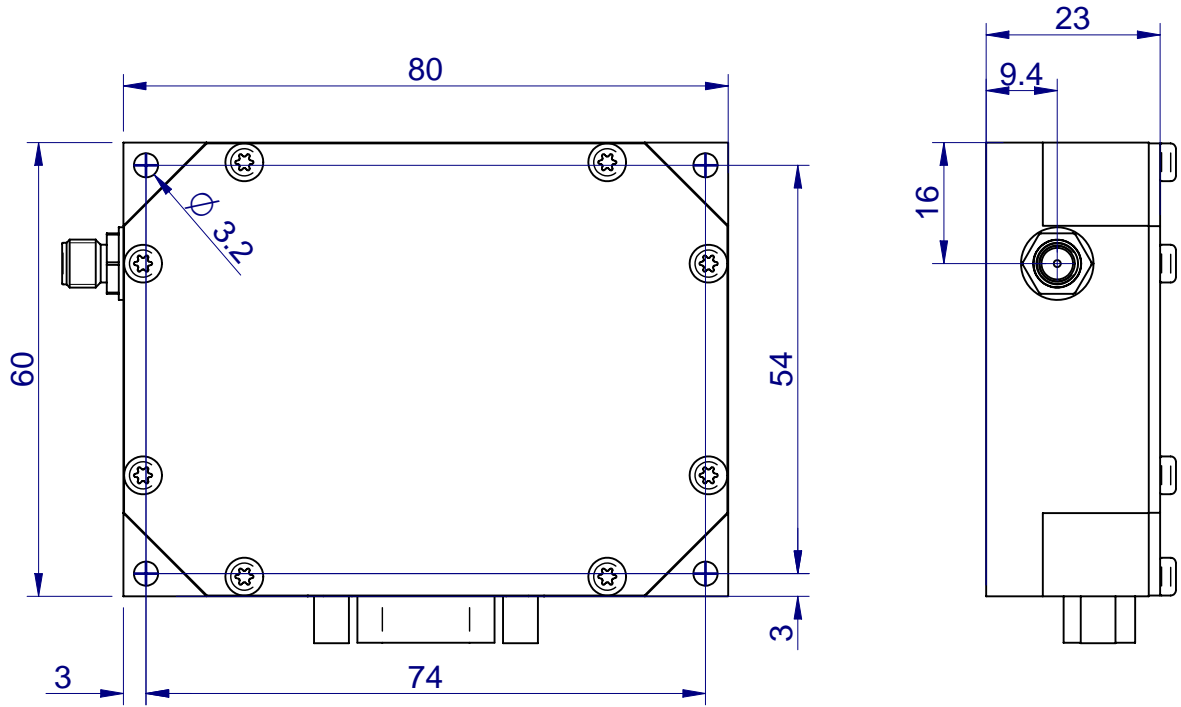
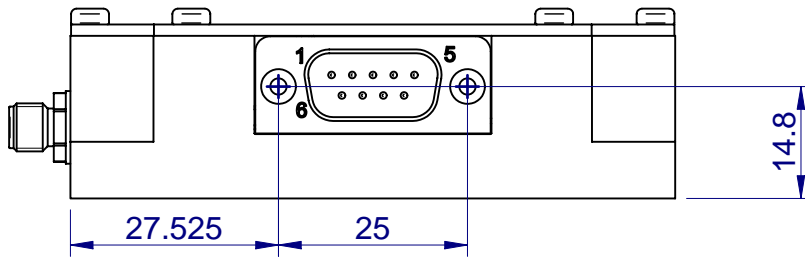
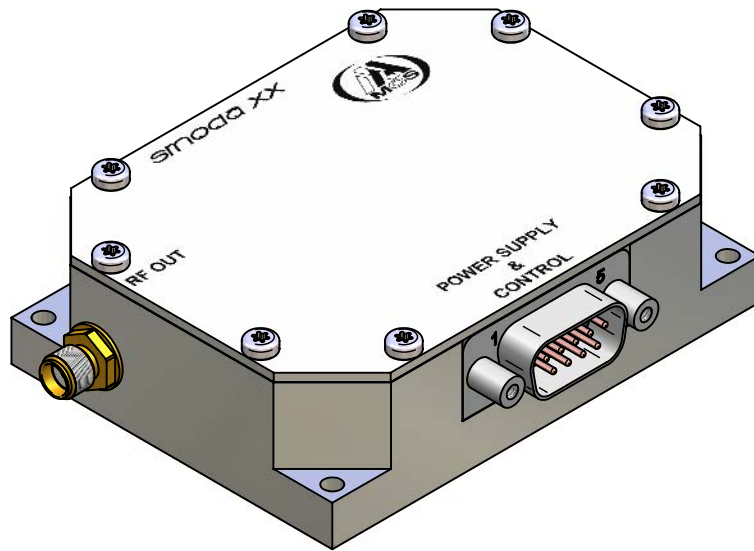
D

C

C

B

B



A

A

Vérif.	Nom:	Cotes après traitement sauf contre indications	Tolérances: ±0.1mm ∠ ±1° √ 3.2μm
Date:			
Dess.	Nom: <b>COUTHON S.</b>	Titre: <b>SMODA XX 1-20 W assemblage et vue d'ensemble</b>	Ech: Page 1/1
Date:	<b>15/06/2009</b>		
Matière:			
Traitement /Finition:			
Ind. 0		N° Plan	1MODS09012.0055 Vue d'ensemble

4 3 2 A4