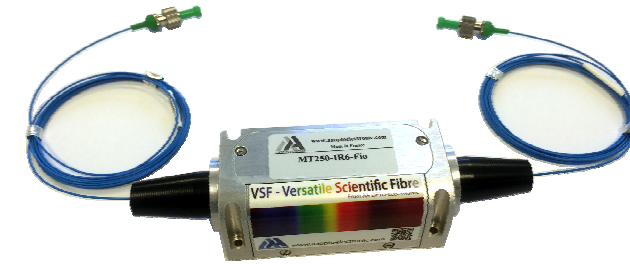


# MA40-IIR120-Fio-xx, MT40-IIR80-Fio-xx, MT80-IIRxx-Fio-xx , MT110-IIR20-Fio-xx MT160-IIR10-Fio-xx , MT200-IIR30-Fio-xx

AO FIBRE PIGTAILED MODULATORS/SHIFTERS for 1290-1650 nm (1550 nm)



## Product Overview

These fibre pigtailed devices are optimized for a single wavelength within their range of operation [1290-1650]. They can operate for intensity modulation, fixed or variable frequency shifting, pulse picking or q-switching.

AA offers a complete range with different carrier frequencies (40, 80, 110, 160, 200 MHz) and different Rise/fall times (60, 30, 20, 10 ns) in order to fit most applications. Available with PM or SM fibres, low power version or high power version up to 5W depending on models.

## Features

- Polarization Maintaining or Single Mode fibre
- FC/APC
- Positive frequency shift (negative on request)
- High Extinction Ratio

## Technical Specifications

Parameters	MA40-IIR120-Fio-xx	MT40-IIR80-Fio-xx	MT80-IIR60-Fio-xx	MT80-IIR30-Fio-xx	MT110-IIR20-Fio-xx	MT160-IIR10-Fio-xx	MT200-IIR30-Fio-xx
Material-Acoustic mode-Velocity	Doped Glass	TeO <sub>2</sub> - [L] - 4200 m/s					
Optical Wavelength range	1290-1650 nm, AR coated						
IL, Insertion Losses	Nom 2 dB, < 3 dB	Nom 2 dB, < 3 dB	Nom 2.5 dB, < 3 dB	Nom 2 dB, < 3 dB	Nom 3.5 dB, < 4 dB	Nom 5 dB, < 8 dB	Nom 5 dB, < 8 dB
Input / Output Polarization	Polar. insensitive PM or SM fibres	Linear (PM fibres), Random (SM fibres)					
PDL, Polarization Dependence Losses	-	< 0.5 dB			< 1.2 dB		
Carrier frequency / Frequency shift	+40 MHz	+40 MHz	+80 MHz	+80 MHz	+110 MHz	+160 MHz	+200 MHz
Static Extinction Ratio	> 40 dB, nom 45 dB	> 40 dB, nom 45 dB	> 45 dB, nom 50 dB	> 45 dB, nom 50 dB	> 45 dB, nom 50 dB	> 45 dB, nom 50 dB	> 45 dB, nom 55 dB
Fibre type (SM / PM)	SMF28 or PM1550	SMF28 or PM1550 or PM1300					
Jacket type	HYTREL 900 µm						
Fibre connectors	FC/APC						
Pigtail length	1 meter (IN/OUT)						
Rise/Fall time	120 ns	80 ns	60 ns	30 ns	20 ns	10 ns	30 ns
Analog modulation BW (-3dB)	4 MHz	6 MHz	8 MHz	16 MHz	24 MHz	48 MHz	16 MHz
Max Input laser power (CW)	0.5 W	0.5 W or 5 W	0.5 W or 5 W	0.5 W or 5 W	0.5 W or 5 W	0.5 W or 1 W	0.5 W or 5 W
Input impedance	Nom 50 Ω						
V.S.W.R.	Nom < 1.2/1						
RF Power / Connector	< 0.5 W / SMA	< 2.5 W / SMA	< 2.5 W / SMA	< 2.5 W / SMA	< 2.5 W / SMA	< 2.2 W / SMA	< 2.2 W / SMA
Size / Weight	(LxIxh) 89 x 46.6 x 32.5 mm <sup>3</sup> / 250 g IN PRO 334						
Operating Temperature	+10 to +40°C, Non condensing						
Storage Temperature	-40 to +50°C, Non condensing						

## Options / On request

FIBER JACKET	<input checked="" type="checkbox"/> PVC 3 mm	<input checked="" type="checkbox"/> Stainless steel 3 mm
FIBER CONNECTOR	<input checked="" type="checkbox"/> Super FC/PC	<input checked="" type="checkbox"/> SMA
PIGTAIL LENGTH	<input checked="" type="checkbox"/> 2 m	<input checked="" type="checkbox"/> Other
FREQUENCY SHIFT	<input checked="" type="checkbox"/> « - » Negative shift	<input checked="" type="checkbox"/> Variable frequency shift

[Access to your operating manual](#)


**Rise Time (Tr)** is beam diameter ( $\Phi$ ) sensitive:

$$Tr = 0.66 \frac{\Phi}{V}$$

**Insertion Loss (IL)** is the amount of launched light lost within the Acousto-Optic Modulator (AOM). It is defined as the ratio of the input optical power over the output optical power.

The value of IL indicated in datasheet includes optical transmission through the crystal, diffraction efficiency and coupling losses. Losses at FC connectors are not included.

**Polarization dependent loss (PDL)** is when the insertion loss of a signal differs between the two different states of polarization. Polarization Dependent Loss is a measure of the peak-to-peak difference in Transmission of the AOM with respect to all possible states of polarizations.

It is defined as the ratio between the maximum and minimum transmission power with respect to all possible axes of polarization.

The PDL of the acousto-optic devices is mainly due to the polarization dependency of the diffraction efficiency.

**Amplitude modulation bandwidth (F<sub>-3dB</sub>)** is rise time (Tr) sensitive:

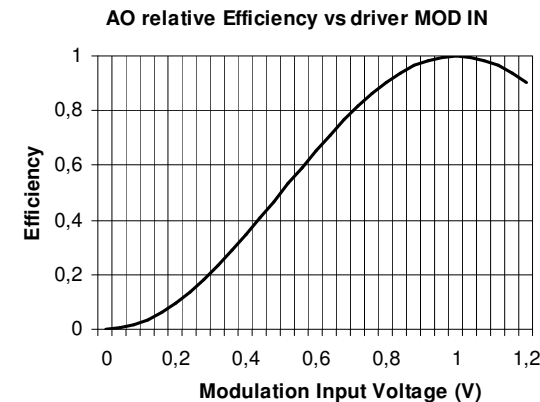
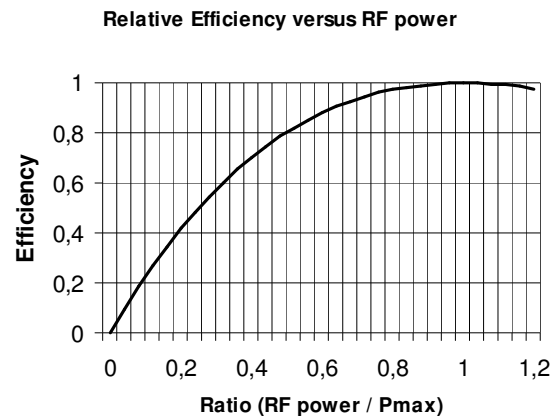
$$F_{-3dB} = \frac{0.48}{Tr}$$

**RF power (P)** is wavelength ( $\lambda$ ) sensitive:

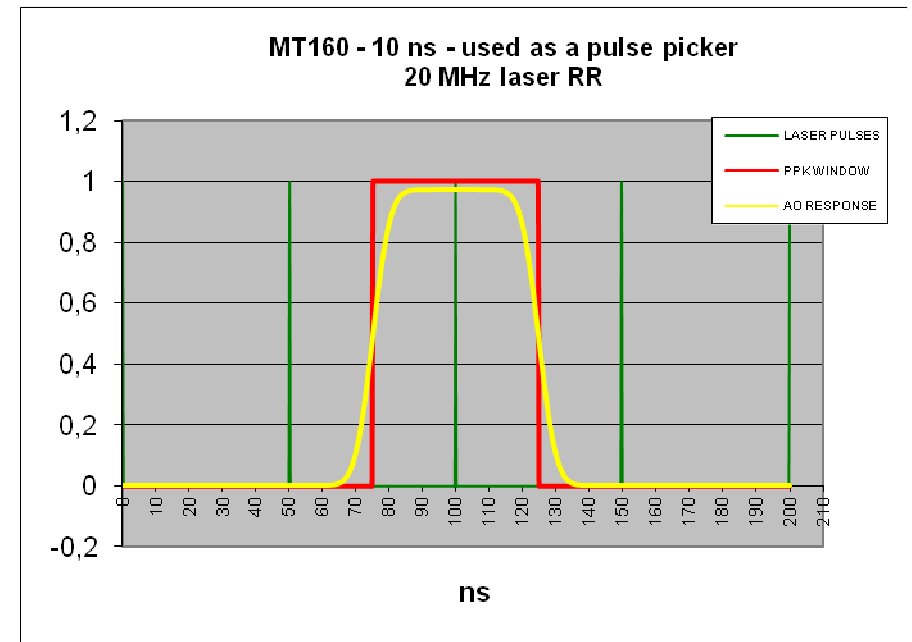
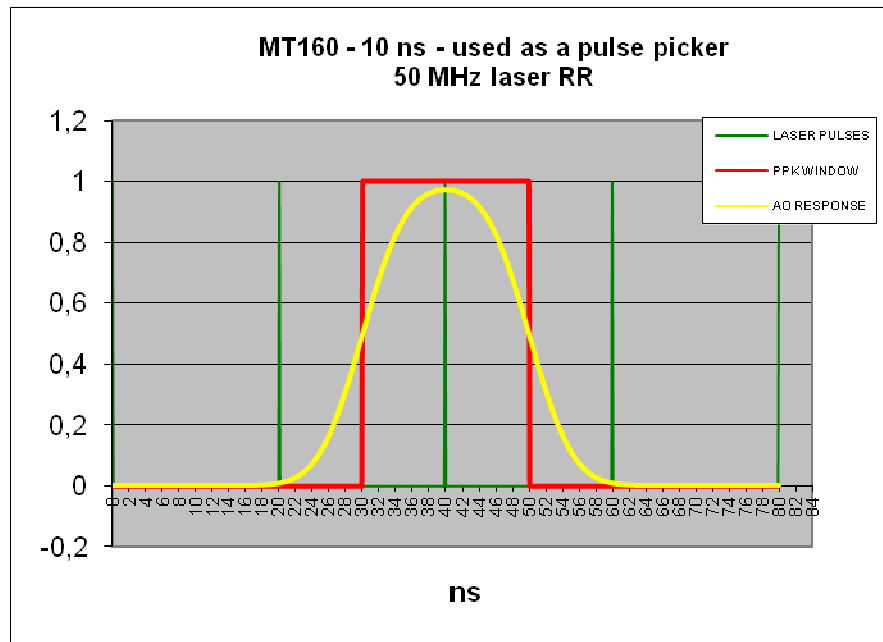
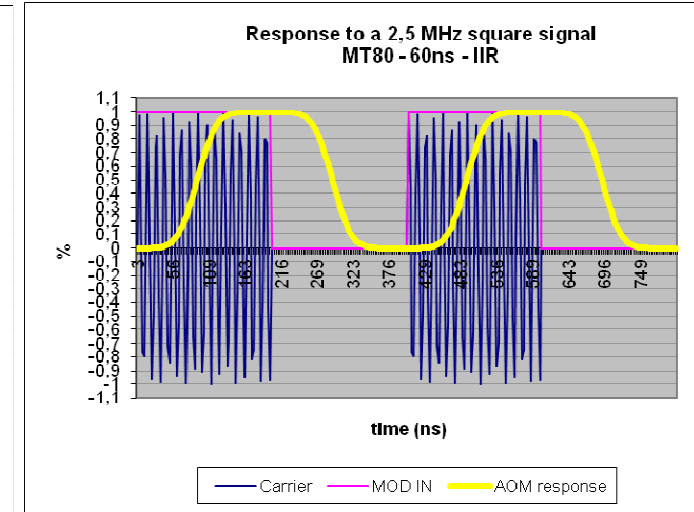
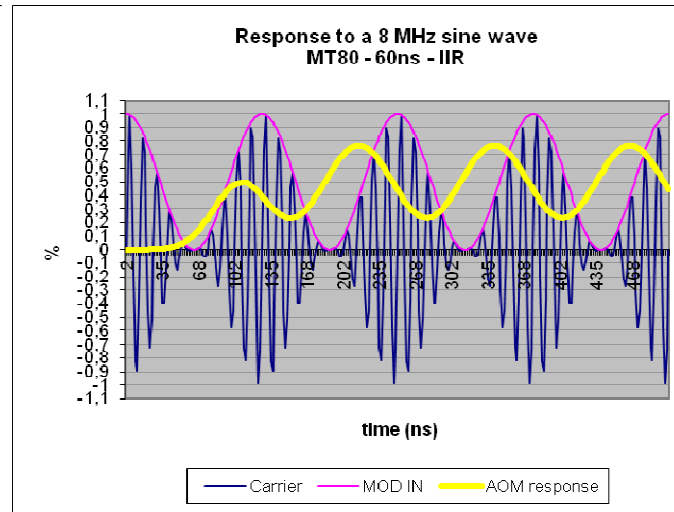
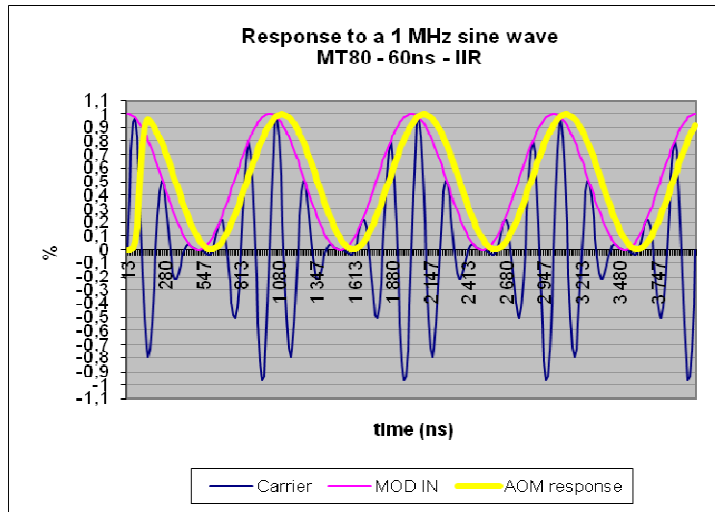
$$\frac{P_1}{P_2} = \frac{\lambda_1^2}{\lambda_2^2}$$

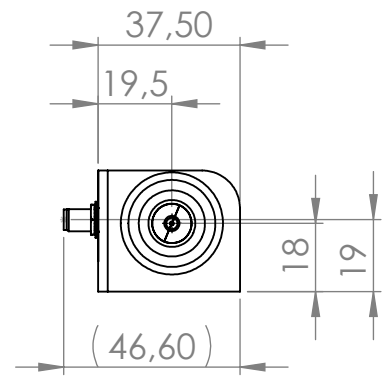
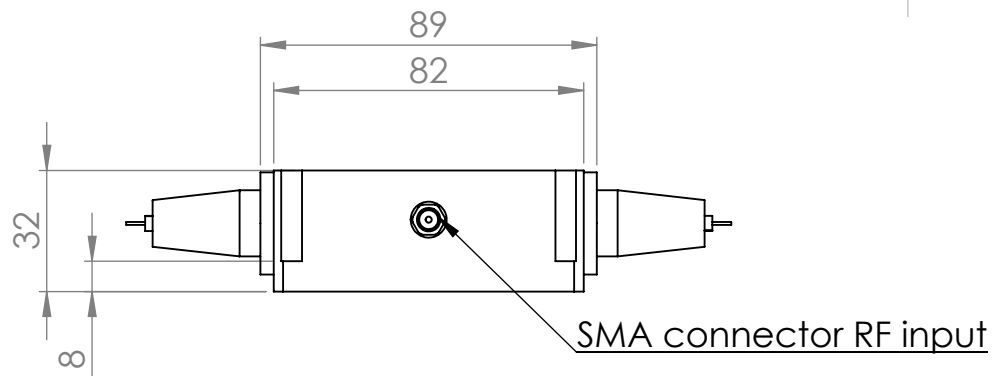
**PMD (Polarization Mode Dispersion)** is the differential arrival time of the different polarization components of an input light pulse, transmitted by the AOM. This light pulse can always be decomposed into pairs of orthogonal polarization modes. These polarization modes propagate at different speeds according to a slow and fast axis induced by the birefringence of the AOM.

**Second Order PMD:** The second order PMD describes how polarization induced delay, varies with wavelength. It provides the indication of the wavelength dependency of the PMD.

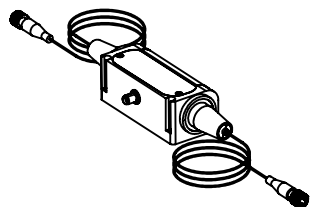
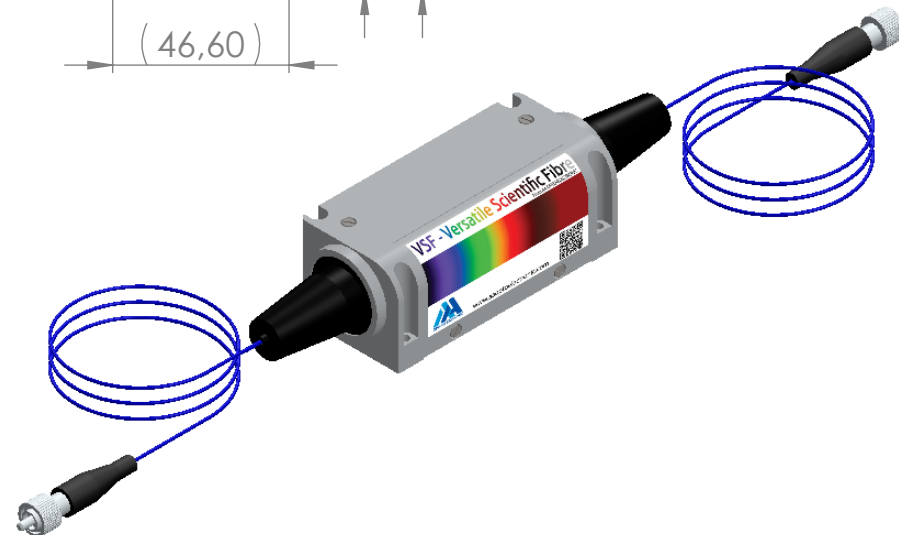
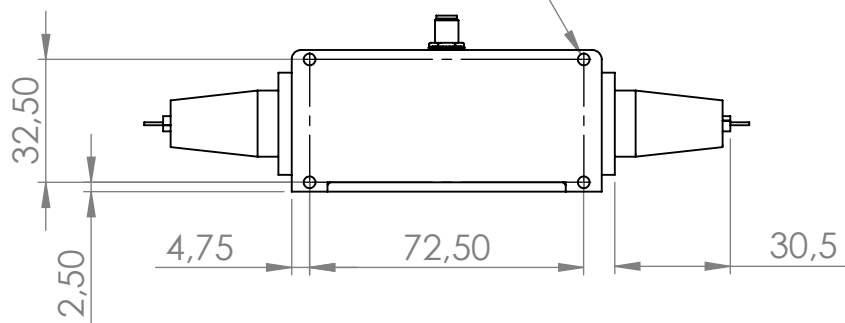


Examples





4x FIXING HOLES FOR SCREWS M2.5



A	17/12/14	G.M	Plan initial / Initial plan		
Indice Index	Date	Auteur Author	Modifications		
Conception Design		GM	Désignation / Designation <b>PLAN D'INTERFACE</b>  Référence / Reference <b>IN-PRO-334</b>		
Vérification Checking		YN			
Tolérance Tolerance		ISO 2768mK			
Echelle Scale	1:2		Matière / Material	Traitement / Treatment	Finition / Finish
		Format A4	Ce document est la propriété de A.A.SA. Il est strictement interdit de reproduire ce document ou une partie sans l'autorisation de A.A.SA. This document is the property of A.A.SA. It is strictly prohibited to reproduce this document or a part without the authorization of A.A.SA.		
			Folio / Sheet	Indice / Index	
			1/1	A	



A.A. SA OPTO-ELECTRONIC DIVISION  
 18, rue Nicolas Appert  
 F-91898 ORSAY  
 tel : 08 11 09 76 76  
 fax : 01 76 91 50 31