

# AMPA-B-36 / AMPA-B-40 / AMPA-B-42

RF power amplifiers 4 W, 10 W, 15 W

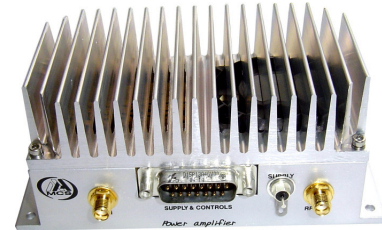


## Product Overview

These Amplifiers are made for general purpose applications, covering frequency ranges up to 400 MHz.  
In association with a VCO driver or a DDS driver, they will provide the necessary RF power to drive an acousto-optic device up to 4, 10 or 15 W

## Features

- Large band
- Heat sink + Fan
- Rohs



Access to your operating manual

TECHNICAL DATA SHEET 2014

## Technical Specifications

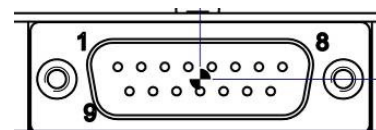
Parameter	AMPA-B-36	AMPA-B-40	AMPA-B-42
Frequency range	20 MHz to 400 MHz	50 MHz to 150 MHz	50 MHz to 150 MHz
Gain	≥ 40 dB	≥ 42 dB	≥ 44 dB
Gain Flatness	≤ +/- 1.5 dB, nom +/- 0.5 dB		
Noise Figure	nom 5 dB	nom 7 dB	nom 7 dB
Output RF Power (@1dB compression)	@ P1dB 55°C Vcc = 24 V ≥ 36 dBm	@ P1dB 55°C Vcc = 24 V ≥ 40 dBm	@ P1dB 55°C Vcc = 24 V ≥ 42 dBm (60-140 MHz)
Input / Output Impedance	50 Ω		
Power Supply	24 +/- 0.5 VDC		
Max required Current	1A	2.5A	2.5A
Class	A		
Input / Output Connector	SMA Female / DB 15 male/ EMI filter		
Size / Weight	129 X 61 X 55 mm <sup>3</sup> /220 g		
Heat Exchange	Conduction through baseplate		
Operating Temperature	-10 to 50 °C (max Tcase 55°C)		
Storage Temperature	-40 to +50 Non condensing		

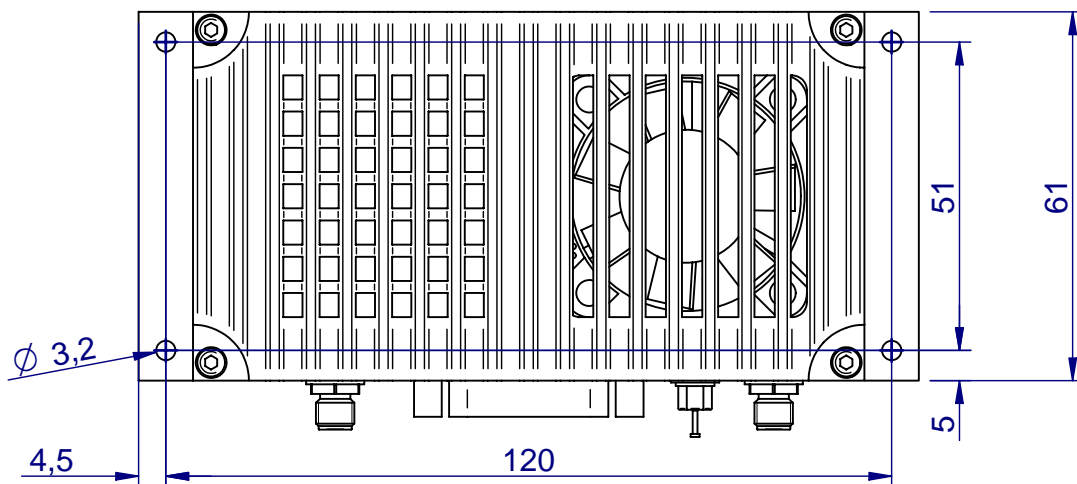
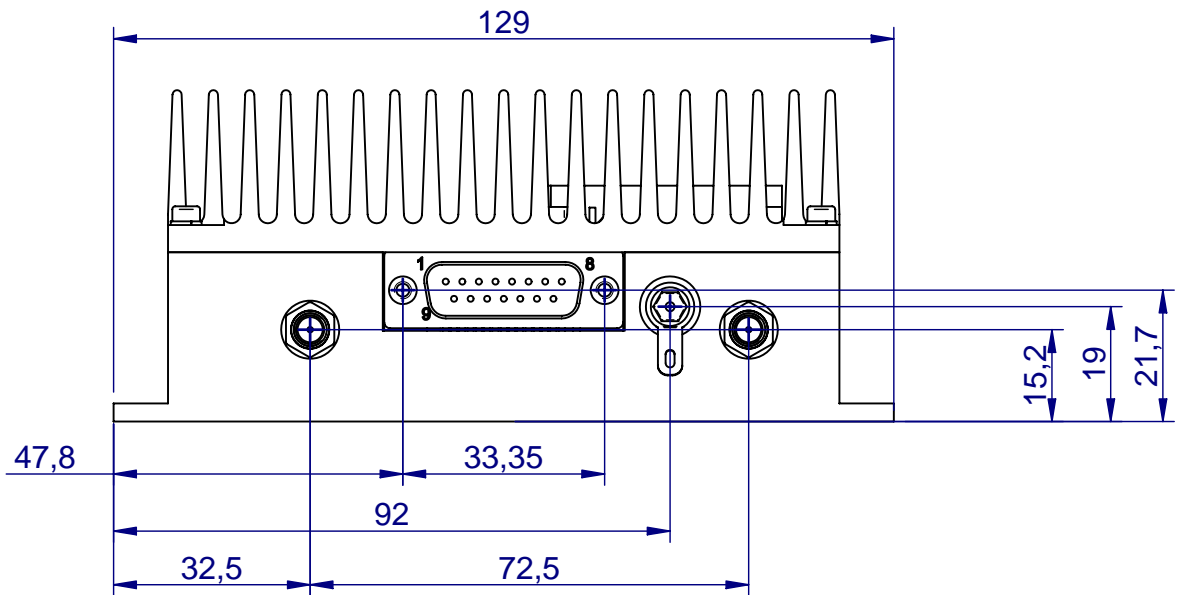
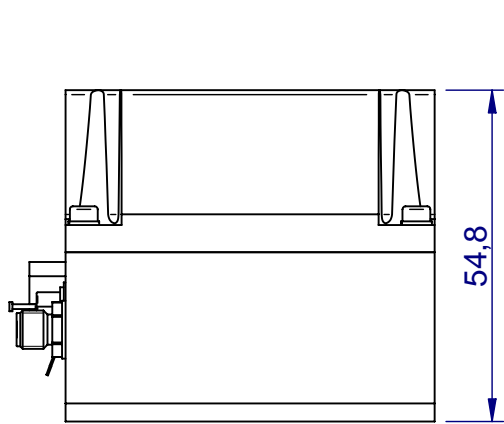
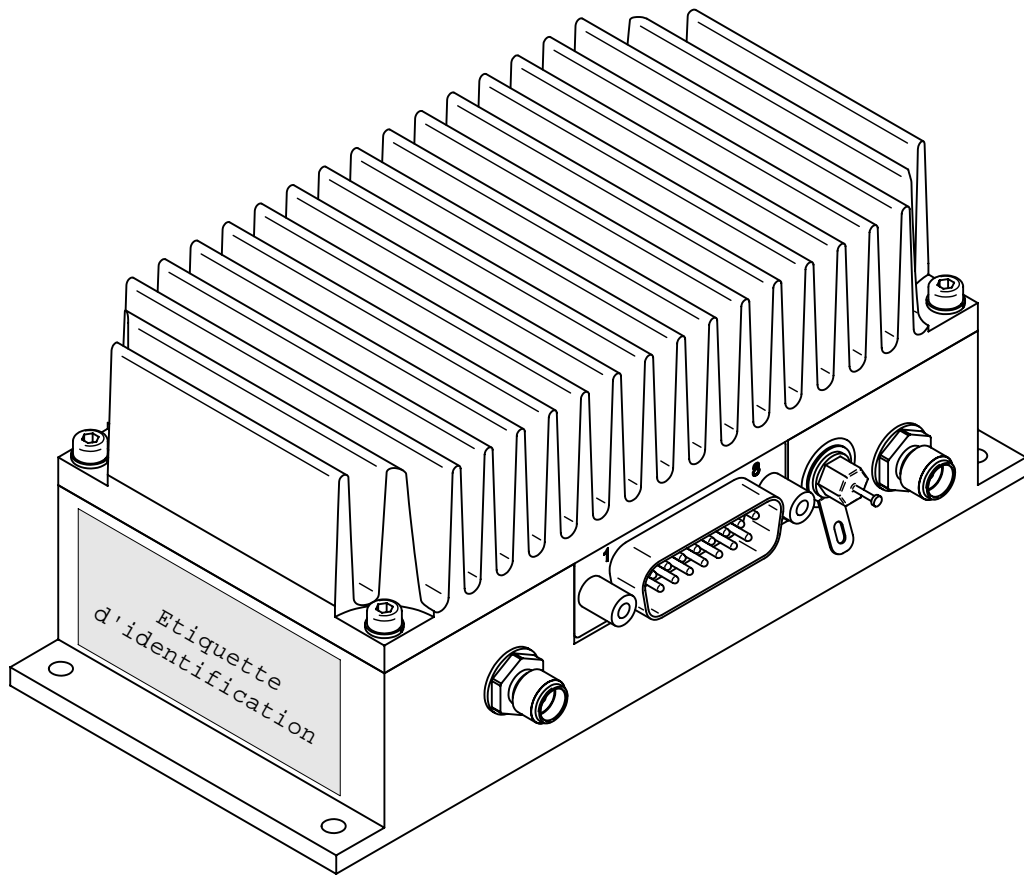
## Options / On request

POWER SUPPLY	<input checked="" type="checkbox"/> 110-230 VAC
RF POWER	<input checked="" type="checkbox"/> up to 500 W
HOUSING	<input checked="" type="checkbox"/> Rack 19"

## PIN connections

Pin 9, 11, 13, 15	: Vcc
Pin 2, 4, 7, 10, 12, 14	: GND
Pin 3	: ON/OFF
Pin 1, 5, 6, 8	: NC





Ce document est la propriété de AA-MCS et ne peut être communiqué sans son accord.  
www.aa-mcs.com. Mail: info.technic@aa-mcs.com

				<u>Dessiné par</u>		<u>Vérifié par</u>		Cotes après traitement sauf contre indications	Tolérances: ±0.1mm ∠ ±1° √ 3.2µm	
				Nom: <b>Couthon S.</b>						
				Date: <b>09/02/2007</b>						
				Matière:						
				Traitement /Finition:						
				Titre: <b>AMPA 4-20 W assemblage et vue d'ensemble</b>						
0	Création	09/02/07	S.C	N° <b>1AMPME07002.0055</b>				Ech:		
Ind.	Description	Date	Visa	Plan <b>Vue d'ensemble</b>				Page 1/1		