

# AMPA-B-30 / AMPA-B-34-20.425

RF power amplifiers 1 W & 2.5 W

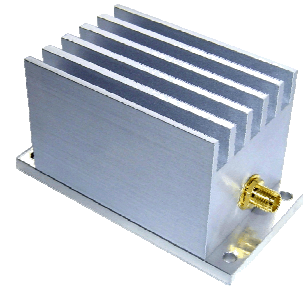


## Product Overview

These Amplifiers are made for general purpose applications, covering frequency ranges up to 450 MHz.  
In association with a VCO driver or a DDS driver, they will provide the necessary RF power to drive an acousto-optic device up to 1 or 2.5 W

## Features

- Large band
- Rohs



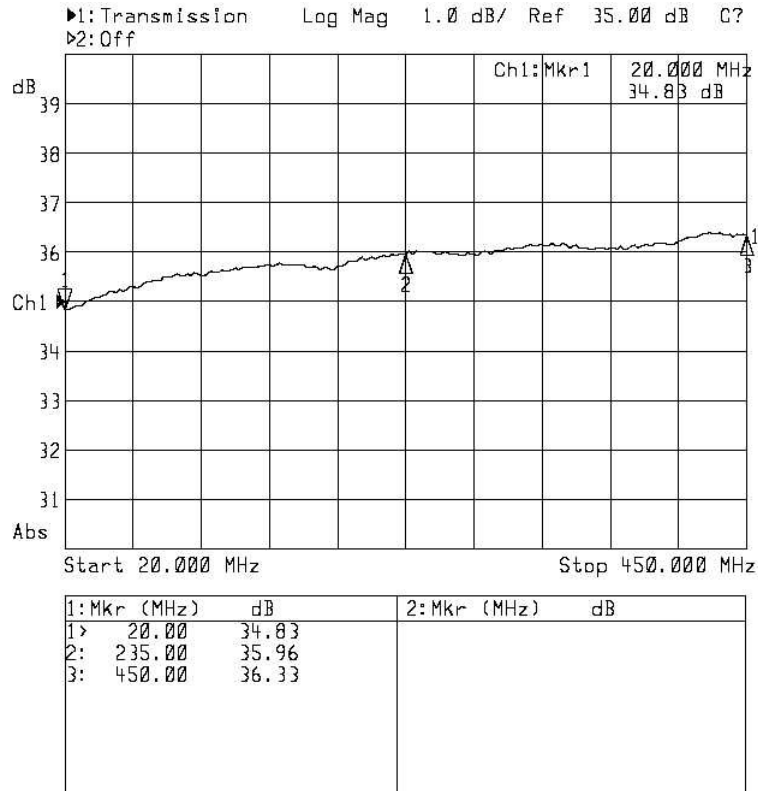
Access to your operating manual

TECHNICAL DATA SHEET 2014

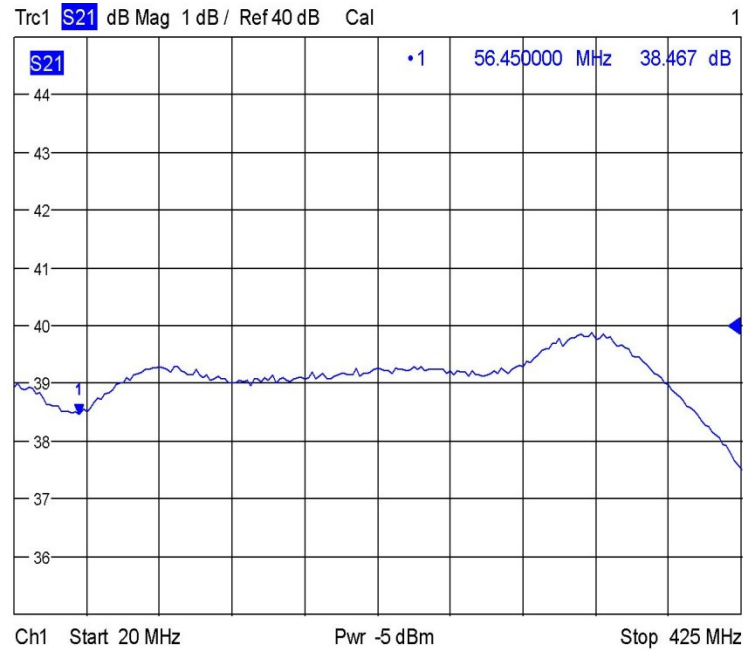
## Technical Specifications

Parameter	AMPA-B-30	AMPA-B-34-20.425
Frequency range	20MHz to 450 MHz	
Gain	≥ 33 dB	≥ 36 dB
Gain Flatness	≤ +/1 dB	
Noise Figure	Nom 5 dB	
Output RF Power (@1dB compression)	≥ 30 dBm	≥ 33 dBm
Input / Output Impedance	50 Ω	
Power Supply	24 +/- 0.5 VDC	
Max required Current	340 mA	550mA
Class	A	
VSWR	< 1.5/1	
Input / Output Connector	SMA / SMA	
Size / Weight	76 X40 X 42 mm <sup>3</sup> /220 g	
Heat Exchange	Conduction through baseplate	
Operating Temperature	-10 to 50 °C (max Tcase 55°C)	
Storage Temperature	-40 to +50 Non condensing	

### AMPA-B-30

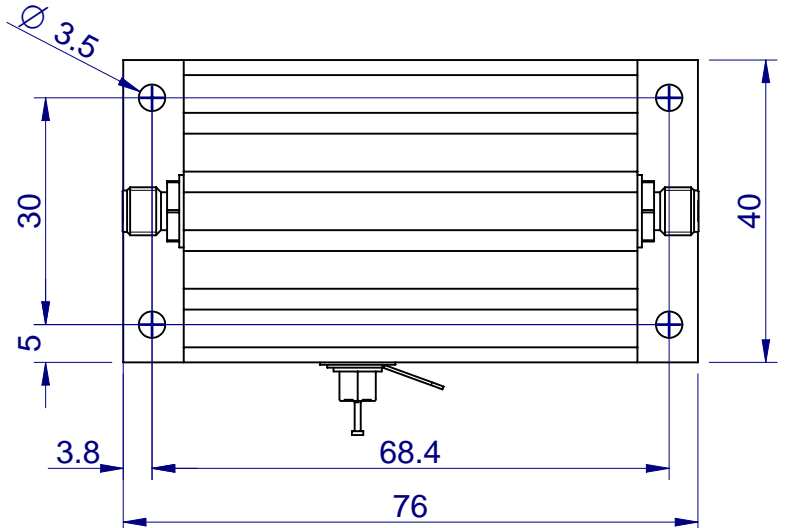
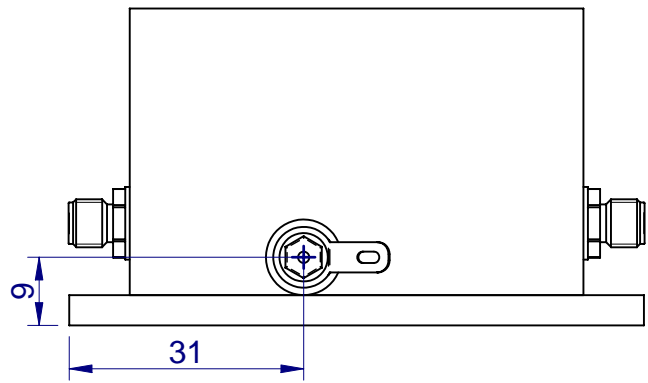
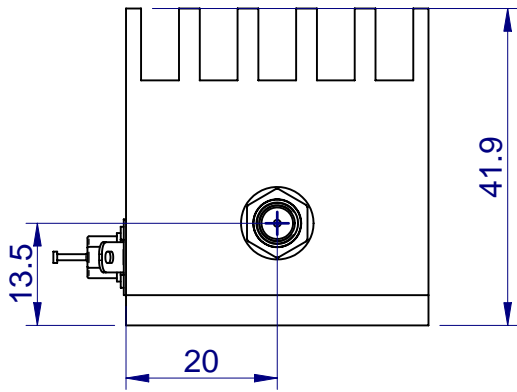
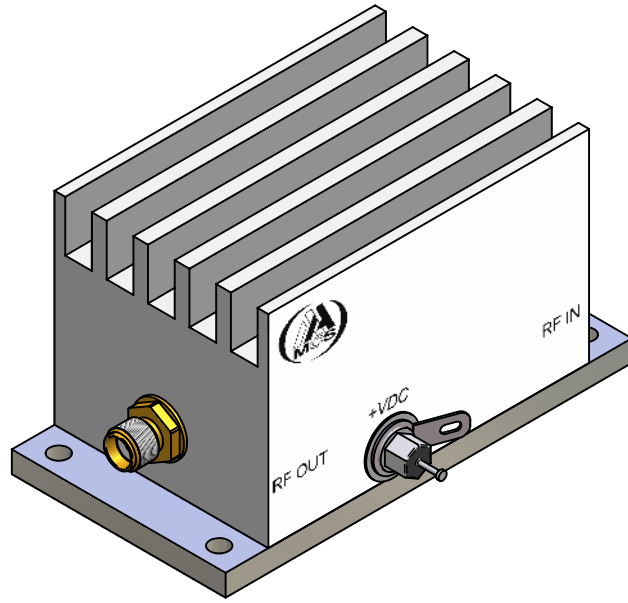



### AMPA-B-34-20.425



Date: 25.MAR.2016 11:56:35

Ce document est la propriété de AA-MCS et ne peut être communiqué sans son accord.



Vérif.	Nom:	Cotes après traitement sauf contre indications	Tolérances: ±0.1mm ±1° √3.2μm
Date:			
Dess.	Nom: <b>COUTHON S.</b>		
Date:	<b>09/02/2009</b>		
Matière:			
Traitement /Finition:			
Titre: <b>AMPA 2,5W assemblage et vue d'ensemble</b>			
0	Création	09/02/09	S.C
Ind.	Description	Date	Visa
N° Plan		1AMPME09002.0055 Vue d'ensemble	
Ech: 1/1		Page 1/1	